

Load Rating Chart

Model 50110SHL



© Manitex 2000

NOTE: Additional copies of this Load Rating Chart can be purchased from your Manitex Distributor. When ordering, use the part number shown in the bottom left corner of this page.

LMI OPERATING CODES

CODE	CRANE CONFIGURATION	OUTRIGGER CONFIGURATION	AREA OF OPERATION
#1	MAIN BOOM	FULLY EXTENDED	OVER REAR
#3	MAIN BOOM	FULLY EXTENDED	FULL 360°
#4	MAIN BOOM	MID POSITION	FULL 360°
#5	MAIN BOOM	RETRACTED	FULL 360°
#7	RETRACTED JIB 0° OFFSET	FULLY EXTENDED	OVER REAR
#8	RETRACTED JIB 0° OFFSET	FULLY EXTENDED	FULL 360°
#9	RETRACTED JIB 15° OFFSET	FULLY EXTENDED	OVER REAR
#10	RETRACTED JIB 15° OFFSET	FULLY EXTENDED	FULL 360°
#11	RETRACTED JIB 30° OFFSET	FULLY EXTENDED	OVER REAR
#12	RETRACTED JIB 30° OFFSET	FULLY EXTENDED	FULL 360°
#13	EXTENDED JIB 0° OFFSET	FULLY EXTENDED	OVER REAR
#14	EXTENDED JIB 0° OFFSET	FULLY EXTENDED	FULL 360°
#15	EXTENDED JIB 15° OFFSET	FULLY EXTENDED	OVER REAR
#16	EXTENDED JIB 15° OFFSET	FULLY EXTENDED	FULL 360°
#17	EXTENDED JIB 30° OFFSET	FULLY EXTENDED	OVER REAR
#18	EXTENDED JIB 30° OFFSET	FULLY EXTENDED	FULL 360°
#19	RETRACTED JIB 0° OFFSET	MID POSITION	FULL 360°
#20	RETRACTED JIB 15° OFFSET	MID POSITION	FULL 360°
#21	RETRACTED JIB 30° OFFSET	MID POSITION	FULL 360°
#22	EXTENDED JIB 0° OFFSET	MID POSITION	FULL 360°
#23	EXTENDED JIB 15° OFFSET	MID POSITION	FULL 360°
#24	EXTENDED JIB 30° OFFSET	MID POSITION	FULL 360°
#25	PERSONNEL LIFTING MAIN BOOM	FULLY EXTENDED	FULL 360°
#26	PERSONNEL LIFTING RETR JIB 0° OFFSET	FULLY EXTENDED	FULL 360°
#27	PERSONNEL LIFTING RETR JIB 15° OFFSET	FULLY EXTENDED	FULL 360°
#28	PERSONNEL LIFTING RETR JIB 30° OFFSET	FULLY EXTENDED	FULL 360°
#29	PERSONNEL LIFTING EXTENDED JIB 0° OFFSET	FULLY EXTENDED	FULL 360°
#30	PERSONNEL LIFTING EXTENDED JIB 15° OFFSET	FULLY EXTENDED	FULL 360°
#31	PERSONNEL LIFTING EXTENDED JIB 30° OFFSET	FULLY EXTENDED	FULL 360°

WARNING

1. THE OPERATOR MUST READ AND UNDERSTAND THE OWNER'S MANUAL BEFORE OPERATING THIS CRANE.
2. POSITIONING OR OPERATION OF CRANE BEYOND AREAS SHOWN ON THIS CHART IS NOT INTENDED OR APPROVED EXCEPT WHERE SPECIFIED IN OWNER'S MANUAL.
3. LOADED BOOM ANGLES AT SPECIFIED BOOM LENGTHS GIVE ONLY AN APPROXIMATION OF THE OPERATING RADIUS. THE BOOM ANGLE BEFORE LOADING SHOULD BE GREATER TO ACCOUNT FOR DEFLECTIONS. DO NOT EXCEED THE OPERATING RADIUS FOR RATED LOADS.
4. THE OPERATING RADIUS SHOWN IN THE JIB RATING CHART IS FOR FULLY EXTENDED BOOM ONLY. WHEN BOOM IS NOT FULLY EXTENDED, USE ONLY LOADED BOOM ANGLE TO DETERMINE LOAD RATING OF JIB.
5. FOR BOOM ANGLES NOT SHOWN ON JIB LOAD RATING CHART, USE RATING OF NEXT LOWER BOOM ANGLE.

WARNING (CONTINUED)

6. FOR BOOM LENGTHS NOT SHOWN, USE RATING OF NEXT SHORTER OR LONGER BOOM LENGTH, WHICHEVER IS LESS. FOR RADII NOT SHOWN, USE RATING OF NEXT LONGER RADIUS.
7. CRANE LOAD RATINGS ON OUTRIGGERS ARE BASED ON FREELY SUSPENDED LOADS WITH THE MACHINE LEVELED AND STANDING ON A FIRM UNIFORM SUPPORTING SURFACE. NO ATTEMPT SHALL BE MADE TO MOVE A LOAD HORIZONTALLY ON THE GROUND IN ANY DIRECTION.
8. PRACTICAL WORKING LOADS DEPEND ON SUPPORTING SURFACE, WIND, AND OTHER FACTORS AFFECTING STABILITY SUCH AS HAZARDOUS SURROUNDINGS, EXPERIENCE OF PERSONNEL, AND PROPER HANDLING, ALL OF WHICH MUST BE TAKEN INTO ACCOUNT BY THE OPERATOR.
9. THE MAXIMUM LOAD WHICH MAY BE TELESCOPED IS LIMITED BY HYDRAULIC PRESSURE, BOOM ANGLE, AND BOOM LUBRICATION. IT IS SAFE TO ATTEMPT TO TELESCOPE ANY LOAD WITHIN THE LIMITS OF THE LOAD RATING CHART.

INFORMATION

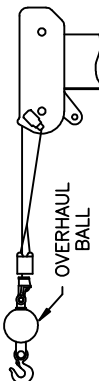
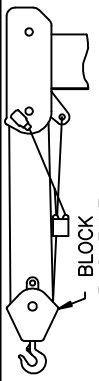
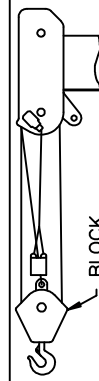
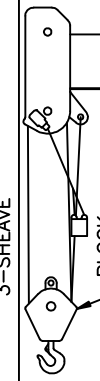
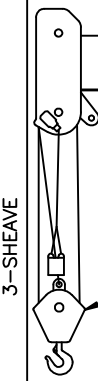

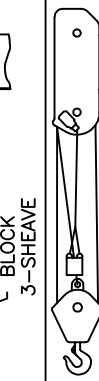


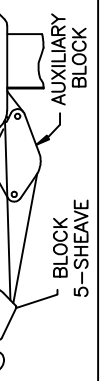
1. DEDUCTIONS MUST BE MADE FROM RATED LOADS FOR JIB, OPTIONAL ATTACHMENTS, HOOKS, AND LOADBLOCKS (SEE DEDUCTION CHART). WEIGHTS OF SLINGS AND ALL OTHER LOAD HANDLING DEVICES SHALL BE CONSIDERED A PART OF THE LOAD.
2. LOAD RATINGS ABOVE THE HEAVY LINE ARE STRUCTURALLY LIMITED CAPACITIES. LOAD RATINGS BELOW THE HEAVY LINE ARE STABILITY LIMITED CAPACITIES AND DO NOT EXCEED 85% OF TIPPING.

DEFINITIONS

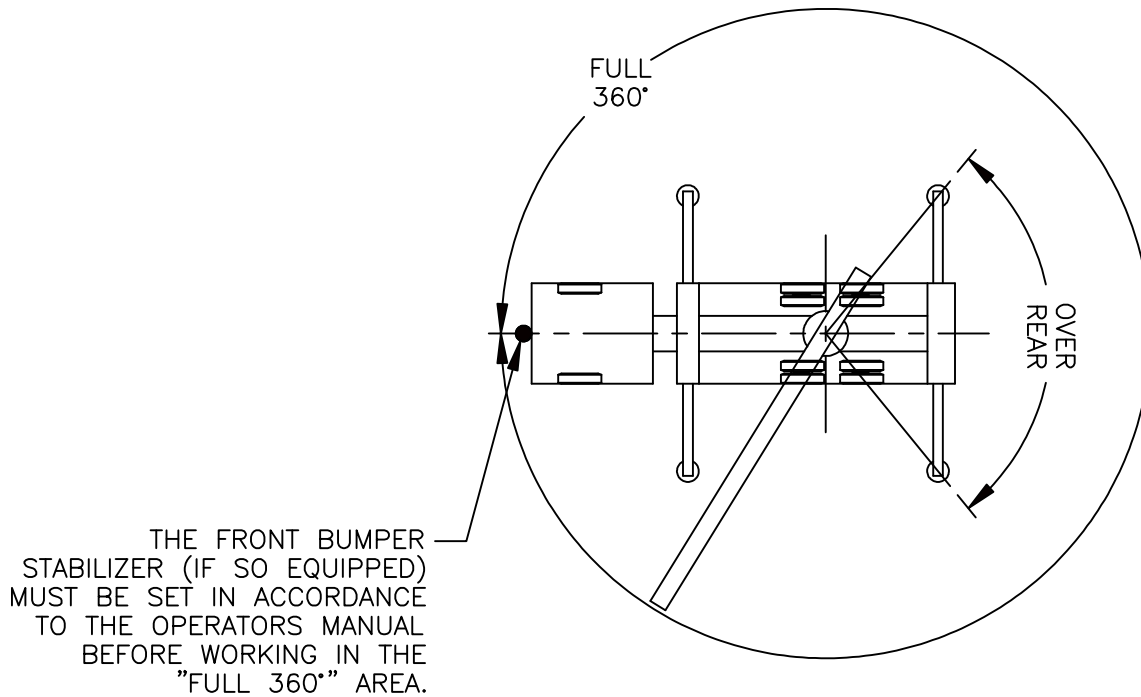
1. OPERATING RADIUS IS THE HORIZONTAL DISTANCE FROM THE AXIS OF ROTATION TO THE CENTER OF THE VERTICAL HOIST LINE OR TACKLE WITH LOAD APPLIED.
2. LOADED BOOM ANGLE IS THE INCLUDED ANGLE BETWEEN THE HORIZONTAL AND LONGITUDINAL AXES OF THE BOOM BASE AFTER LIFTING RATED LOAD AT RATED RADIUS.

ALLOWABLE LINE PULL

WARNING

1 PART LINE	2 PART LINE	3 PART LINE	4 PART LINE	5 PART LINE	6 PART LINE	7 PART LINE	8 PART LINE	9 PART LINE	10 PART LINE	
										<p>ANTI-TWO-BLOCK SYSTEM MUST BE IN GOOD OPERATING CONDITION BEFORE OPERATING CRANE.</p> <p>REFER TO THE OWNER'S MANUAL.</p> <p>KEEP AT LEAST 3 WRAPS OF LOAD LINE ON THE DRUM AT ALL TIMES.</p>
10000 LBS	20000 LBS	30000 LBS	40000 LBS	50000 LBS	60000 LBS	70000 LBS	80000 LBS	90000 LBS	100000 LBS	<p>5/8" 6 X 19 CLASS (3.5:1 SF) 35,000 LBS MIN BREAKING STRENGTH</p> <p>5/8" ROT RESISTANT (5:1 SF) 50,000 LBS MIN BREAKING STRENGTH</p>

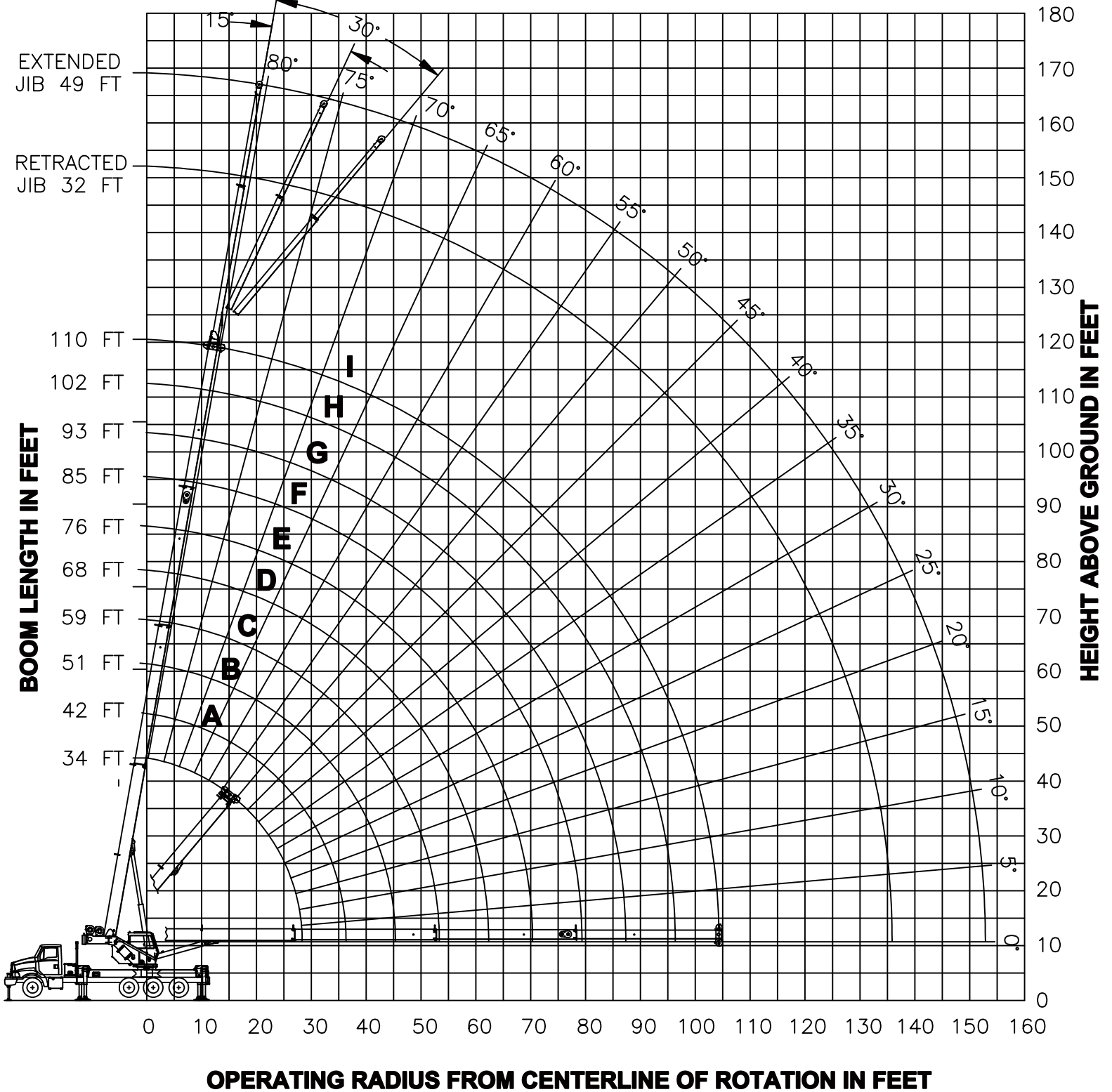
AREA OF OPERATIONS



DEDUCTIONS FROM RATED LOADS FOR LOAD HANDLING DEVICES SUPPLIED BY MANITEX

- AUXILIARY BLOCK ----- 50 LBS
- ROOSTER SHEAVE ----- 70 LBS
- LIFTING FROM MAIN BOOM WITH JIB STOWED OR ERECTED ----- SEE LOAD CHART
- OVERHAUL BALL ----- SEE MANUFACTURER NAMEPLATE
- LOAD BLOCK ----- SEE MANUFACTURER NAMEPLATE

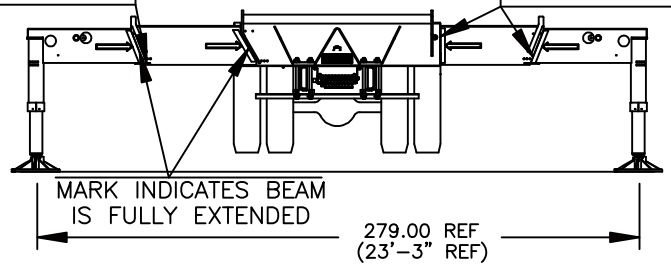
- RANGE DIAGRAM -



**USE THIS CHART ONLY
WHEN ALL OUTRIGGER
BEAMS ARE FULLY
EXTENDED**

PINS MUST BE
DISENGAGED FOR
THIS OUTRIGGER
CONFIGURATION

OUTRIGGER
BEAMS MUST
BE EXTENDED
TO MARK



MAIN BOOM LIFTING CAPACITIES

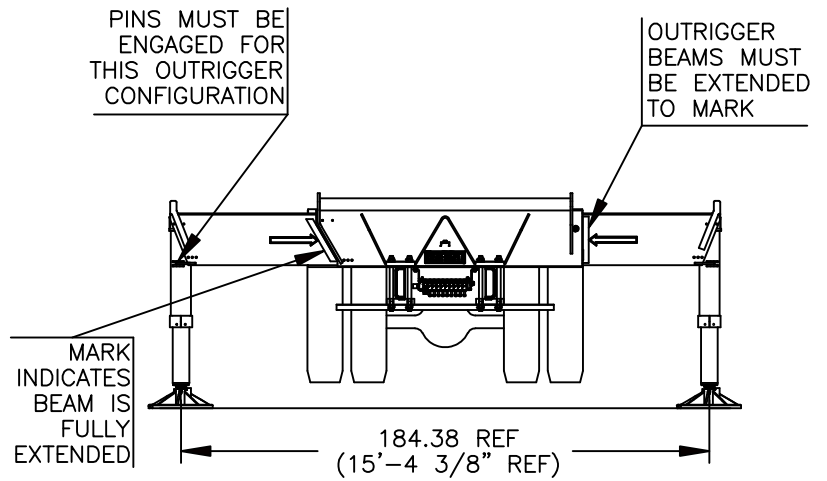
LOAD RADIUS (FT)	BOOM LENGTH 34 FT			BOOM LENGTH 42 FT (A)			BOOM LENGTH 51 FT (B)			BOOM LENGTH 59 FT (C)			BOOM LENGTH 68 FT (D)			LOAD RADIUS (FT)
	LOADED BOOM ANGLE (DEG)	CODE 1	CODE 3	LOADED BOOM ANGLE (DEG)	CODE 1	CODE 3	LOADED BOOM ANGLE (DEG)	CODE 1	CODE 3	LOADED BOOM ANGLE (DEG)	CODE 1	CODE 3	LOADED BOOM ANGLE (DEG)	CODE 1	CODE 3	
	OVER REAR (LBS)	FULL 360° (LBS)	OVER REAR (LBS)	FULL 360° (LBS)	OVER REAR (LBS)	FULL 360° (LBS)	OVER REAR (LBS)	FULL 360° (LBS)	OVER REAR (LBS)	FULL 360° (LBS)	OVER REAR (LBS)	FULL 360° (LBS)	OVER REAR (LBS)	FULL 360° (LBS)		
6	71	100000	100000													6
8	67.5	88500	88500	72	51000	51000	75.5	51000	51000	78	51000	51000				8
10	63.5	78200	78200	69	51000	51000	73.5	51000	51000	76	51000	51000	78	47380	47380	10
12	60	70200	70200	66	51000	51000	71	51000	51000	74	51000	51000	76.5	45140	45140	12
15	53.5	60600	60600	61.5	51000	51000	67.5	51000	51000	71	49770	49770	74	42140	42140	15
20	42	48500	48500	53.5	47800	47800	61	46400	46400	65.5	44310	44310	69.5	37820	37820	20
25	26.5	37600	37600	44	38100	38100	54.5	38500	38500	60	38000	38000	65	32530	32530	25
30				33	30500	30500	47	30900	30900	54.5	31100	31100	60	28560	28560	30
35				15.5	23990	23990	38.5	25480	24980	48	25710	25280	55	25150	25150	35
40							27.5	21420	19630	40.5	21670	19930	49.5	21860	20160	40
45							7	15390	15390	32	18530	16170	43.5	18730	16400	45
50										20.5	16010	13360	37	16230	13610	50
55													28.5	14180	11450	55
60													16.5	12450	9720	60
STOWED JIB		1150 LBS		930 LBS			770 LBS			670 LBS			580 LBS			
ERECTED JIB (RETRACTED)		2940 LBS		2770 LBS			2640 LBS			2560 LBS			2490 LBS			
ERECTED JIB (EXTENDED)		3320 LBS		3080 LBS			2890 LBS			2780 LBS			2680 LBS			

DEDUCTIONS FOR JIB FROM MAIN BOOM CAPACITIES

LOAD RADIUS (FT)	BOOM LENGTH 76 FT			BOOM LENGTH 85 FT (A)			BOOM LENGTH 93 FT (B)			BOOM LENGTH 102 FT (C)			BOOM LENGTH 110 FT (D)			LOAD RADIUS (FT)
	LOADED BOOM ANGLE (DEG)	CODE 1	CODE 3	LOADED BOOM ANGLE (DEG)	CODE 1	CODE 3	LOADED BOOM ANGLE (DEG)	CODE 1	CODE 3	LOADED BOOM ANGLE (DEG)	CODE 1	CODE 3	LOADED BOOM ANGLE (DEG)	CODE 1	CODE 3	
	OVER REAR (LBS)	FULL 360° (LBS)	OVER REAR (LBS)	FULL 360° (LBS)	OVER REAR (LBS)	FULL 360° (LBS)	OVER REAR (LBS)	FULL 360° (LBS)	OVER REAR (LBS)	FULL 360° (LBS)	OVER REAR (LBS)	FULL 360° (LBS)	OVER REAR (LBS)	FULL 360° (LBS)		
12	78.5	39530	39530													12
15	76	37080	37080	78	30830	30830										15
20	72	31860	31860	74.5	26790	26790	76.5	24480	24480	78	21860	21860				20
25	68	27740	27740	71	23230	23230	73	21500	21500	75	19820	19820	76.5	15500	15500	25
30	64	24220	24220	67.5	20390	20390	70	19210	19210	72.5	17730	17730	74	15500	15500	30
35	59.5	21390	21390	63.5	18270	18270	66.5	17050	17050	69.5	15830	15830	71.5	14660	14660	35
40	55	19300	19300	60	16260	16260	63	15260	15260	66.5	14210	14210	68.5	13320	13320	40
45	50	17310	16540	55.5	14570	14570	59.5	13700	13700	63	12810	12810	66	12080	12080	45
50	45	15610	13760	51.5	13130	13130	56	12370	12370	60	11600	11600	63	10970	10970	50
55	39	14160	11600	47	11920	11730	52	11220	11220	56.5	10530	10530	59.5	10000	10000	55
60	32	12610	9890	41.5	10840	10020	47.5	10210	10100	53	9840	9840	56.5	9330	9330	60
65	23.5	11160	8490	36	10010	8630	43	9590	8710	49	9000	8790	53.5	8530	8530	65
70	7	8290	7300	29.5	9320	7470	38	8780	7560	45	8240	7630	50	7810	7690	70
75				20.5	8580	6480	32.5	8060	6580	40.5	7560	6660	46	7160	6710	75
80							25.5	7420	5740	36	6960	5830	42	6590	5880	80
85							15	6860	5010	30	6410	5100	37.5	6070	5160	85
90										23	5920	4470	33	5600	4530	90
95										12	5490	3890	27	5170	3970	95
100													19	4780	3470	100
STOWED JIB		520 LBS		460 LBS			420 LBS			390 LBS			360 LBS			
ERECTED JIB (RETRACTED)		2440 LBS		2400 LBS			2370 LBS			2340 LBS			2320 LBS			
ERECTED JIB (EXTENDED)		2610 LBS		2550 LBS			2510 LBS			2460 LBS			2430 LBS			

DEDUCTIONS FOR JIB FROM MAIN BOOM CAPACITIES

**USE THIS CHART ONLY
WHEN ALL OUTRIGGER
BEAMS ARE IN THE MID
POSITION**

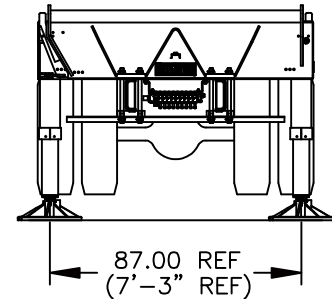


MAIN BOOM LIFTING CAPACITIES

LMI OPERATING CODE 4																					
BOOM LENGTH																					
RAD (FT)	34 FT		42 FT		51 FT		59 FT		68 FT		76 FT		85 FT		93 FT		102 FT		110 FT		RAD (FT)
	BOOM ANGLE (DEG)	FULL 360° (LBS)	BOOM ANGLE (DEG)	FULL 360° (LBS)	BOOM ANGLE (DEG)	FULL 360° (LBS)	BOOM ANGLE (DEG)	FULL 360° (LBS)	BOOM ANGLE (DEG)	FULL 360° (LBS)	BOOM ANGLE (DEG)	FULL 360° (LBS)	BOOM ANGLE (DEG)	FULL 360° (LBS)	BOOM ANGLE (DEG)	FULL 360° (LBS)	BOOM ANGLE (DEG)	FULL 360° (LBS)	BOOM ANGLE (DEG)	FULL 360° (LBS)	
6	71	100000																			6
8	67.5	88500	72	51000	75.5	51000	78	51000													8
10	63.5	78200	69	51000	73.5	51000	76	51000	78	47380											10
12	60	70200	66	51000	71	51000	74	51000	76.5	45140	78.5	39530									12
15	53.5	59320	61.5	51000	67.5	51000	71	48430	74	42140	76	37080	78	30830							15
20	42	32790	53.5	33510	61	34020	65.5	26680	69.5	26940	72	31860	74.5	26790	76.5	24480	78	21860			20
25	26.5	21510	44	22190	54.5	22650	60	17480	65	17700	68	23300	71	23230	73	21500	75	19820	76.5	15500	25
30			33	15920	47	16360	54.5	12390	60	12600	64	16970	67.5	17090	70	17180	72.5	17260	74	15500	30
35			15.5	11880	38.5	12360	48	9160	55	9360	59.5	12950	63.5	13060	66.5	13140	69.5	13220	71.5	13280	35
40					27.5	9580	40.5	6920	49.5	7120	55	10170	60	10280	63	10360	66.5	10430	68.5	10480	40
45					7	7480	32	5270	43.5	5470	50	8130	55.5	8240	59.5	8310	63	8380	66	8440	45
50							20.5	3990	37	4210	45	6570	51.5	6680	56	6750	60	6820	63	6870	50
55									28.5	3210	39	5330	47	5440	52	5520	56.5	5590	59.5	5640	55
60									16.5	2370	32	4330	41.5	4440	47.5	4520	53	4590	56.5	4640	60
65											23.5	3490	36	3620	43	3690	49	3760	53.5	3810	65
70											7	2760	29.5	2920	38	3000	45	3070	50	3120	70
75													20.5	2310	32.5	2400	40.5	2470	46	2520	75
80															25.5	1880	36	1960	42	2010	80
85															15	1420	30	1510	37.5	1560	85
90																	23	1110	33	1170	90
95																			27	820	95
STOWED	1150	930	770	670	580	520	460	420	390	360											
ERECTED RETRACTED	2940	2770	2640	2560	2490	2440	2400	2370	2340	2320											
ERECTED EXTENDED	3320	3080	2890	2780	2680	2610	2550	2510	2460	2430											

DEDUCTIONS FOR JIB FROM MAIN BOOM CAPACITIES (LBS)

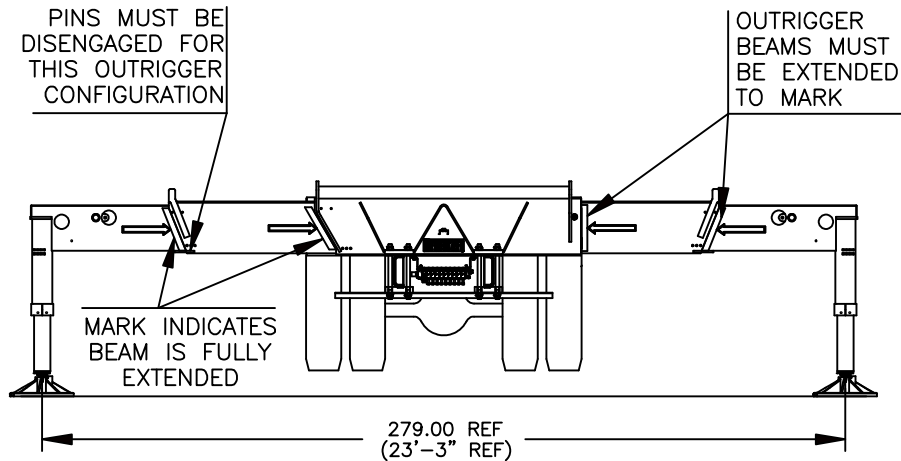
**USE THIS CHART WHEN ALL
OUTRIGGER BEAMS ARE NOT IN
EITHER THE MID OR FULLY
EXTENDED POSITION**



MAIN BOOM LIFTING CAPACITIES

LMI OPERATING CODE 5																					
BOOM LENGTH																					
RAD (FT)	34 FT		42 FT		51 FT		59 FT		68 FT		76 FT		85 FT		93 FT		102 FT		110 FT		RAD (FT)
	BOOM ANGLE (DEG)	FULL 360° (LBS)	BOOM ANGLE (DEG)	FULL 360° (LBS)	BOOM ANGLE (DEG)	FULL 360° (LBS)	BOOM ANGLE (DEG)	FULL 360° (LBS)	BOOM ANGLE (DEG)	FULL 360° (LBS)	BOOM ANGLE (DEG)	FULL 360° (LBS)	BOOM ANGLE (DEG)	FULL 360° (LBS)	BOOM ANGLE (DEG)	FULL 360° (LBS)	BOOM ANGLE (DEG)	FULL 360° (LBS)	BOOM ANGLE (DEG)	FULL 360° (LBS)	
6	71	100000																			6
8	67.5	59870	72	51000	75.5	51000	78	51000													8
10	63.5	39250	69	40010	73.5	40570	76	40920	78	41220											10
12	60	28470	66	29130	71	29620	74	29920	76.5	30180	78.5	30360									12
15	53.5	19400	61.5	19980	67.5	20410	71	20670	74	20900	76	21050	78	21190							15
20	42	11630	53.5	12170	61	12550	65.5	12780	69.5	12980	72	13110	74.5	13230	76.5	13310	78	13390			20
25	26.5	7440	44	8000	54.5	8360	60	8580	65	8760	68	8880	71	8990	73	9060	75	9130	76.5	9190	25
30			33	5380	47	5750	54.5	5960	60	6140	64	6250	67.5	6350	70	6430	72.5	6490	74	6540	30
35			15.5	3540	38.5	3960	48	4180	55	4350	59.5	4460	63.5	4560	66.5	4630	69.5	4690	71.5	4740	35
40					27.5	2640	40.5	2870	49.5	3040	55	3160	60	3250	63	3320	66.5	3380	68.5	3430	40
45					7	1590	32	1870	43.5	2050	50	2170	55.5	2260	59.5	2330	63	2390	66	2430	45
50							20.5	1070	37	1270	45	1390	51.5	1480	56	1550	60	1610	63	1650	50
55													47	850	52	920	56.5	980	59.5	1020	55
60																					60
STOWED	1150		930		770		670		580		520		460		420		390		360		
ERECTED RETRACTED	2940		2770		2640		2560		2490		2440		2400		2370		2340		2320		
ERECTED EXTENDED	3320		3080		2890		2780		2680		2610		2550		2510		2460		2430		
DEDUCTIONS FOR JIB FROM MAIN BOOM CAPACITIES (LBS)																					

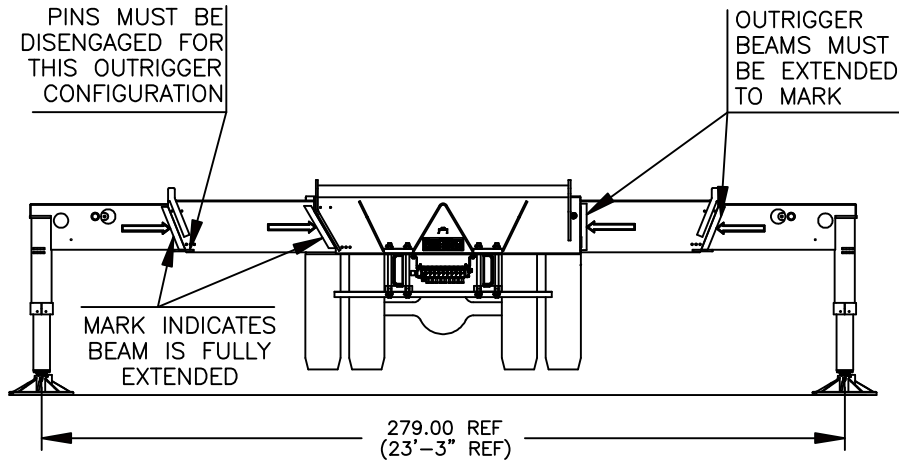
**USE THIS CHART ONLY
WHEN ALL OUTRIGGER
BEAMS ARE FULLY
EXTENDED**



32 FT RETRACTED JIB LIFTING CAPACITIES

LOAD RADIUS (FT)	LOADED BOOM ANGLE (DEG)	0' OFFSET		15' OFFSET			30' OFFSET		
		CODE 7 OVER REAR (LBS)	CODE 8 FULL 360° (LBS)	LOADED BOOM ANGLE (DEG)	CODE 9 OVER REAR (LBS)	CODE 10 FULL 360° (LBS)	LOADED BOOM ANGLE (DEG)	CODE 11 OVER REAR (LBS)	CODE 12 FULL 360° (LBS)
40	76.5	7300	7300						
40	74.5	7300	7300						
45	72.5	7300	7300	76	6500	6500			
50	70.5	7300	7300	73.5	6500	6500	76	5800	5800
55	68.5	6980	6980	71.5	6500	6500	74	5800	5800
60	66.5	6600	6600	69.5	6120	6120	72	5750	5750
65	64	6230	6230	67	5780	5780	69.5	5450	5450
70	62	5870	5870	65	5450	5450	67	5160	5160
75	59.5	5530	5530	62.5	5160	5160	64.5	4900	4900
80	57	5110	5110	60	4880	4880	62	4670	4670
85	54.5	4690	4690	57.5	4630	4630	59.5	4450	4450
90	52	4280	4280	54.5	4400	4400	56.5	4250	4250
95	49	3920	3760	51.5	4070	4030	53.5	4070	4070
100	46	3570	3270	48.5	3700	3510	50.5	3820	3680
105	43	3250	2830	45.5	3370	3040	47	3480	3180
110	39.5	2950	2440	42	3050	2620	43.5	3140	2730
115	35.5	2670	2080	38	2770	2230	39	2830	2320
120	31.5	2420	1760	34	2500	1880	34.5	2540	1940
125	26.5	2180	1460	29	2240	1560	29	2260	1580
130	20.5	1960	1190	22	2000	1250	20	1970	1230
135	10	1760	930						
140									

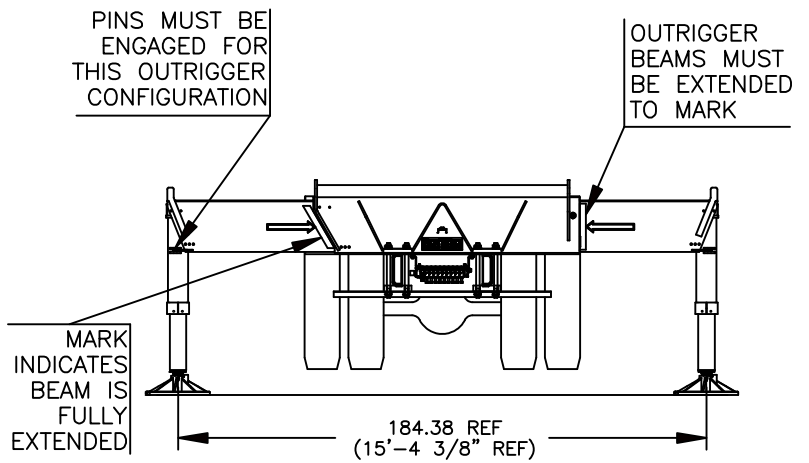
**USE THIS CHART ONLY
WHEN ALL OUTRIGGER
BEAMS ARE FULLY
EXTENDED**



49 FT EXTENDED JIB LIFTING CAPACITIES

LOAD RADIUS (FT)	LOADED BOOM ANGLE (DEG)	0° OFFSET		15° OFFSET			30° OFFSET		
		CODE 13	CODE 14	LOADED BOOM ANGLE (DEG)	CODE 15	CODE 16	LOADED BOOM ANGLE (DEG)	CODE 17	CODE 18
		OVER REAR (LBS)	FULL 360° (LBS)		OVER REAR (LBS)	FULL 360° (LBS)		OVER REAR (LBS)	FULL 360° (LBS)
40	77	5400	5400						
45	75	5400	5400						
50	73.5	5400	5400	77	4700	4700			
55	71.5	5400	5400	75	4700	4700			
60	69.5	5400	5400	73.5	4480	4480	77	3520	3520
65	68	5230	5230	71.5	4280	4280	75	3520	3520
70	66	4930	4930	69.5	4100	4100	73.5	3410	3410
75	64	4660	4660	67.5	3940	3940	71	3310	3310
80	62	4410	4410	65.5	3790	3790	69	3210	3210
85	60	4170	4170	63.5	3650	3650	67	3130	3130
90	57.5	3950	3950	61.5	3520	3520	64.5	3050	3050
95	55.5	3750	3750	59	3400	3400	62	2980	2980
100	53	3560	3560	57	3290	3290	59.5	2910	2910
105	50.5	3380	3380	54.5	3190	3190	57	2860	2860
110	48	3220	3020	52	3050	3050	54.5	2810	2810
115	45.5	2980	2660	49	2920	2920	51.5	2760	2760
120	42.5	2730	2330	46	2800	2580	48.5	2730	2730
125	39.5	2500	2030	43	2640	2250	45	2650	2400
130	36	2290	1760	39.5	2410	1950	41	2480	2070
135	32	2090	1510	35.5	2190	1660	36.5	2240	1750
140	28	1890	1270	31	1970	1400	31	2000	1440
145	22.5	1720	1060	25	1770	1150			
150	15	1550	850	15.5	1570	890			
155									

**USE THIS CHART ONLY
WHEN ALL OUTRIGGER
BEAMS ARE IN THE MID
POSITION**



32 FT RETRACTED JIB LIFTING CAPACITIES

LOAD RADIUS (FT)	0° OFFSET		15° OFFSET		30° OFFSET	
	LOADED BOOM ANGLE (DEG)	CODE 19	LOADED BOOM ANGLE (DEG)	CODE 20	LOADED BOOM ANGLE (DEG)	CODE 21
		FULL 360° (LBS)		FULL 360° (LBS)		FULL 360° (LBS)
35	76.5	7300				
40	74.5	7300				
45	72.5	7300	76	6500		
50	70.5	6600	73.5	6500	76	5800
55	68.5	5360	71.5	5950	74	5800
60	66.5	4360	69.5	4880	72	5320
65	64	3540	67	4000	69.5	4380
70	62	2840	65	3250	67	3600
75	59.5	2250	62.5	2620	64.5	2920
80	57	1740	60	2070	62	2340
85	54.5	1300	57.5	1600	59.5	1830
90	52	910	54.5	1180	56.5	1380
95			51.5	800	53.5	970

49 FT EXTENDED JIB LIFTING CAPACITIES

LOAD RADIUS (FT)	0° OFFSET		15° OFFSET		30° OFFSET	
	LOADED BOOM ANGLE (DEG)	CODE 22	LOADED BOOM ANGLE (DEG)	CODE 23	LOADED BOOM ANGLE (DEG)	CODE 24
		FULL 360° (LBS)		FULL 360° (LBS)		FULL 360° (LBS)
40	77	5400				
45	75	5400				
50	73.5	5400	77	4700		
55	71.5	5400	75	4700		
60	69.5	5000	73.5	4480	77	3520
65	68	4160	71.5	4280	75	3520
70	66	3460	69.5	4070	73.5	3410
75	64	2860	67.5	3410	71	3310
80	62	2340	65.5	2850	69	3210
85	60	1890	63.5	2350	67	2740
90	57.5	1500	61.5	1910	64.5	2260
95	55.5	1150	59	1530	62	1840
100	53	840	57	1180	59.5	1460
105			54.5	870	57	1110
110					54.5	800